



Printed-Circuit-Board transformers

Output Power: 50.0 VA – 70.0 VA

EI 78

Individual version!

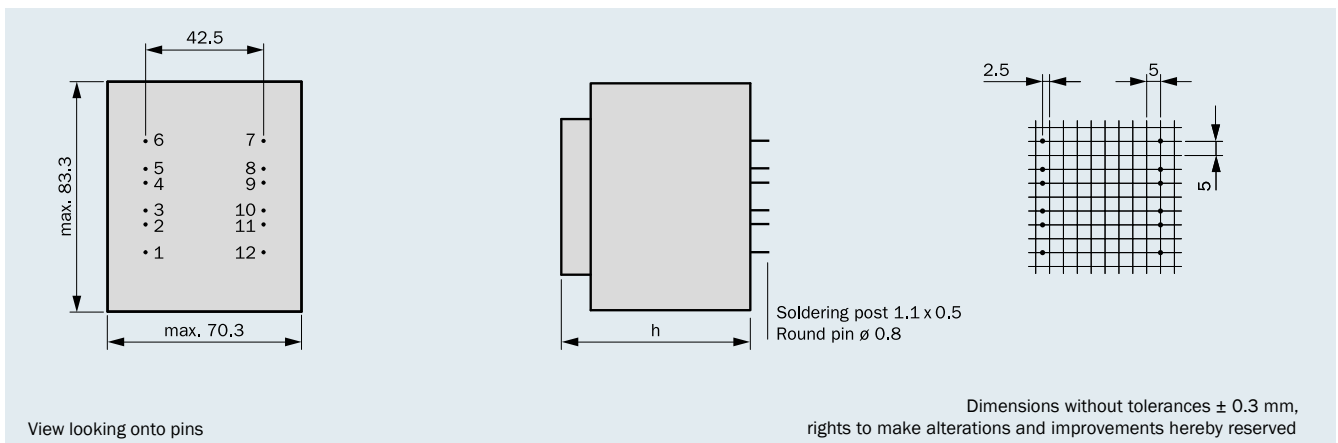
Custom-made models are available on request, e.g. with or without mounting brackets, other heights, pin configurations or connections.

- according to REACH regulation
- according to RoHS regulation

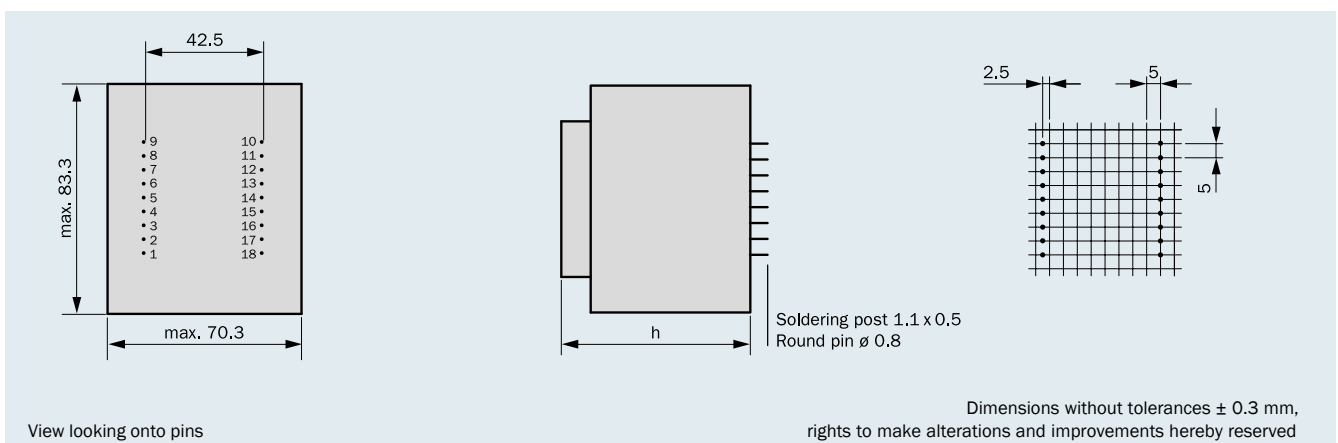
Further certifications / approvals on request!

Frame size/Core height	Output Power ta 70 °C/B	Height (h)	Weight
BV EI 781 /27.5 mm	50.0 VA	max. 59.5 mm	1.250 kg
BV EI 782 /36.5 mm	60.0 VA	max. 68.5 mm	1.500 kg
BV EI 783 /40.5 mm	70.0 VA	max. 72.5 mm	1.700 kg

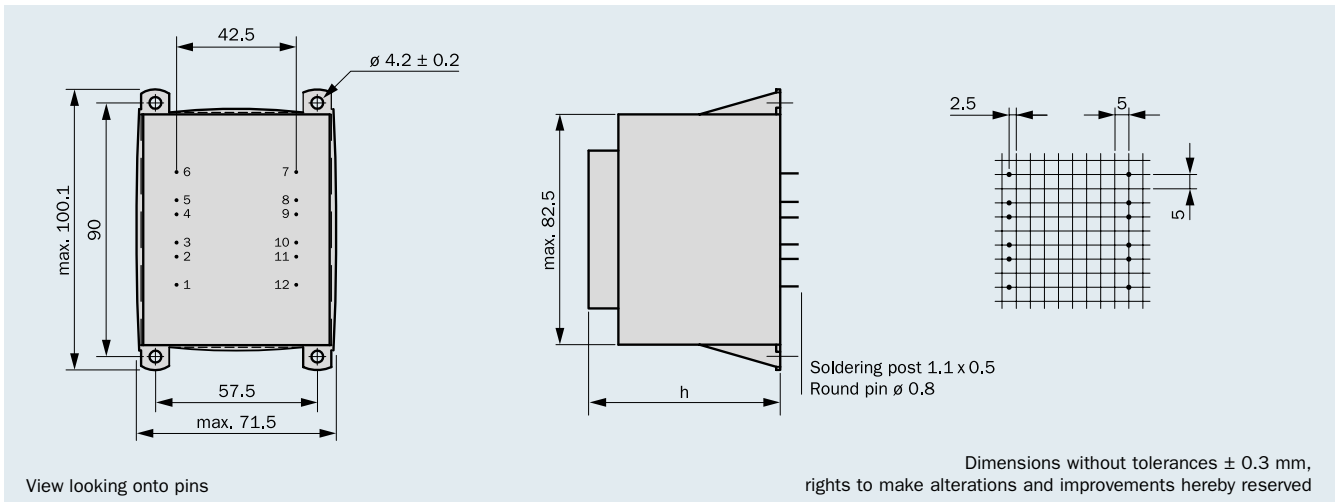
Type cast housing “0” with 12 connection pins



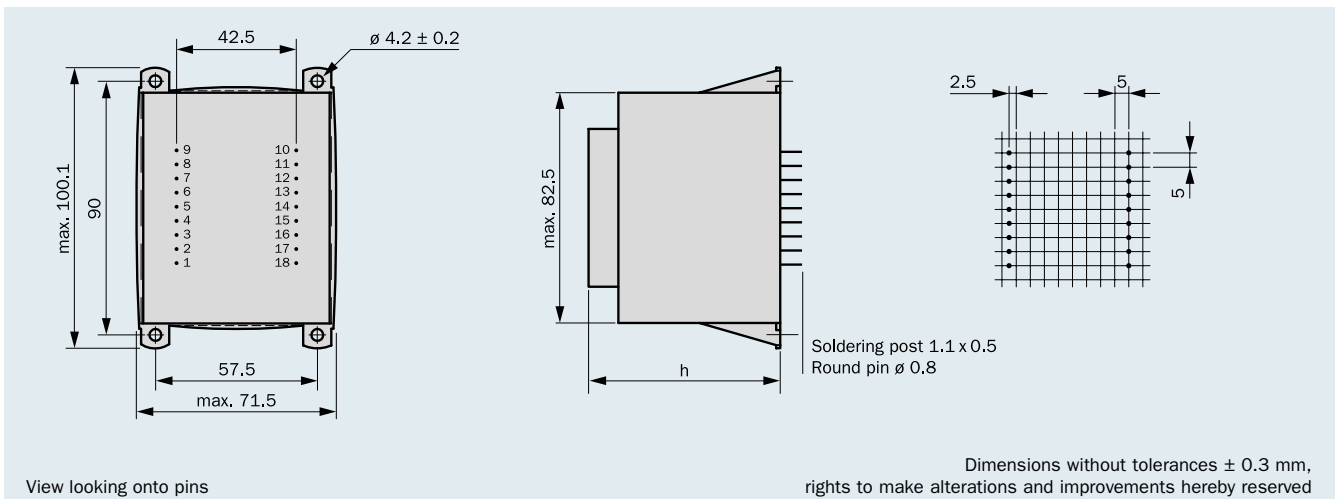
Type cast housing “0” with 18 connection pins



Type cast housing “KK” with 12 connection pins



Type cast housing “KK” with 18 connection pins



Type cast housing “SV” for upright mounting

