



# Transformers

Output Power:  
10.0 VA – 120.0 VA

# RAST 5

Report of passed Glow-Wire-Test	<b>DIN EN 60335-1, clause 30.2.3.1 and 30.2.3.2</b>	102961/84814
------------------------------------	---	--------------

- according to REACH regulation
- according to RoHS regulation

**Further certifications / approvals on request!**



- High Output Power up to 120.0 VA
- Primary voltages from 12 V to 400 V
- Secondary voltages from 6 V to 24 V or 2 x 6 V to 2 x 24 V
- Minimal size available
- Vacuum-encapsulated, bobbin with dual chamber windings
- 100 % piece inspection
- Temperature class ta 70 °C/B meeting VDE 0570/DIN EN 61558 regulations
- High electrical safety and long service-life features
- Excellent temperature fluctuation resistance properties
- Self-extinguishing cast housing and sealing material

### RAST 5 Transformers frame size EI 48 to EI 84.

All transformers of the RAST 5 series are equipped with a variable user-friendly parallel-wired connector to VDE 0627/PM 906 (Regulations of the Association of German Electrical Engineers). This greatly facilitates the assembly of the components by as much as a third. It only remains to attach the lead connectors to the primary and secondary sides. The tedious and time-consuming routines of soldering, screw-attachment or individual plug-ins is no longer required. Especially coded connectors with form guides ensure proper assembly. Confusion in connecting up routines is impossible, even for a layman. Lead connectors are prefabricated, thus also reducing costs.

The RAST 5 interconnective techniques developed by HAHN for transformers provide makers of electrical and white goods with assured economical- and electrical safety aspects in the manufacture of appliances.





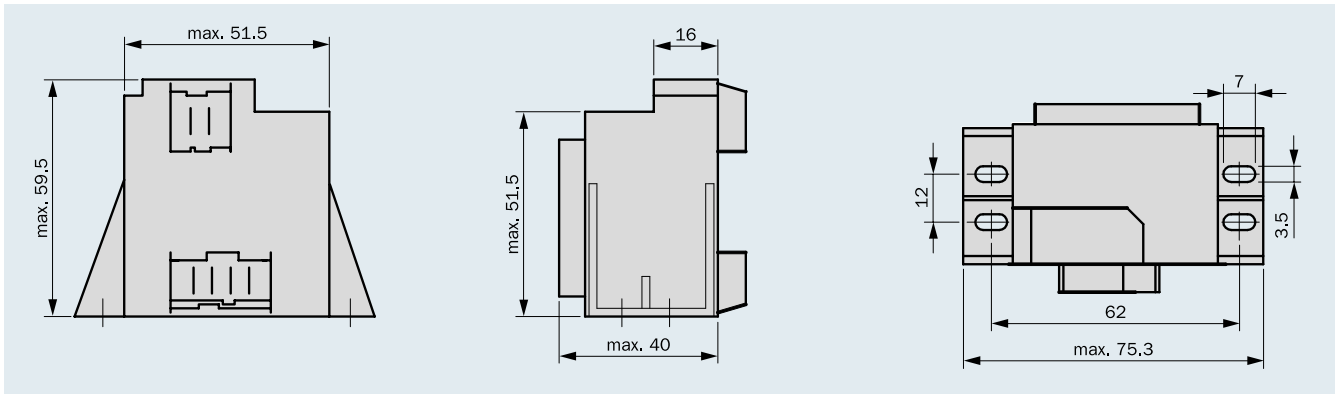
# Transformers

Output Power:  
10.0 VA – 16.0 VA

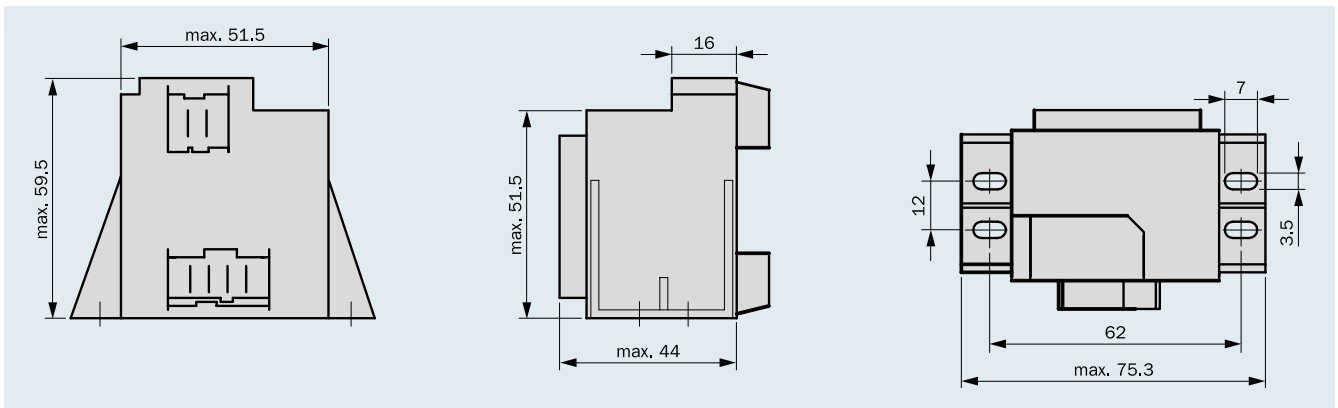
# RAST 5

Frame size	Output Power ta 70 °C/B
EI 48 / 16.8	10.0 VA
EI 48 / 20.5	12.0 VA
EI 54 / 18.8	16.0 VA

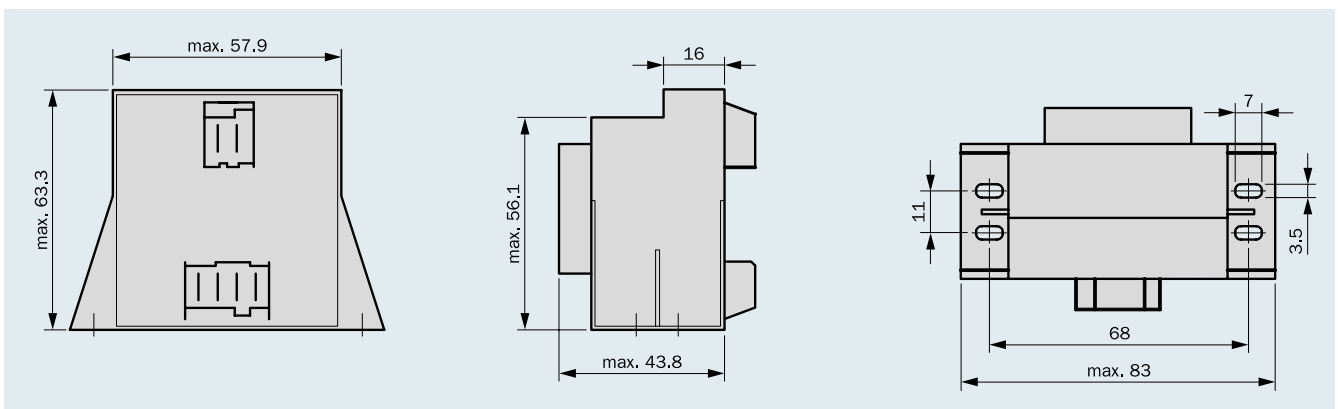
**Connecting pins** Version EI 48 / 16.8



**Connecting pins** Version EI 48 / 20.5



**Connecting pins** Version EI 54 / 18.8





# Transformers

# RAST 5

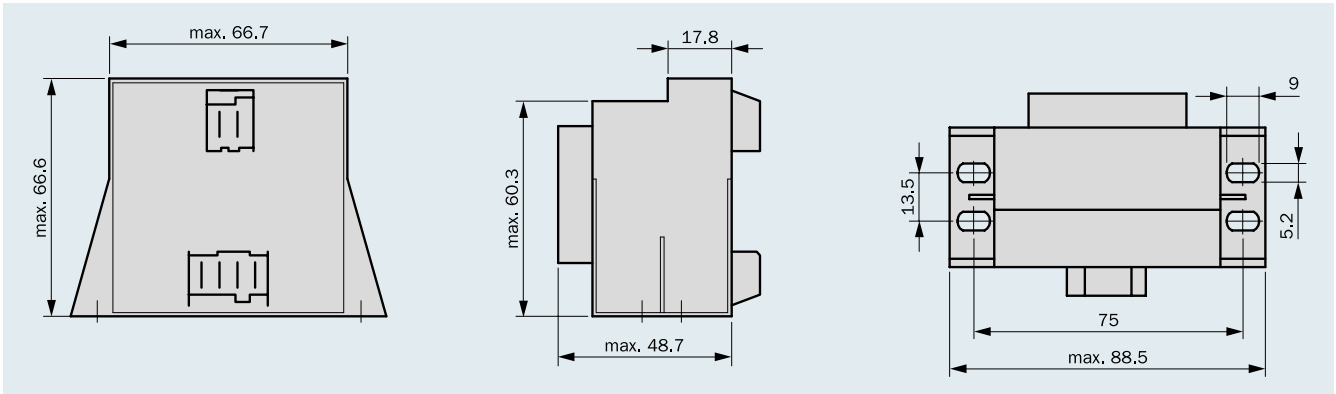
Output Power:  
20.0 VA – 40.0 VA

Frame size	Output Power ta 70 °C/B
EI 60 / 21.0	20.0 VA
EI 66 / 30.0	40.0 VA

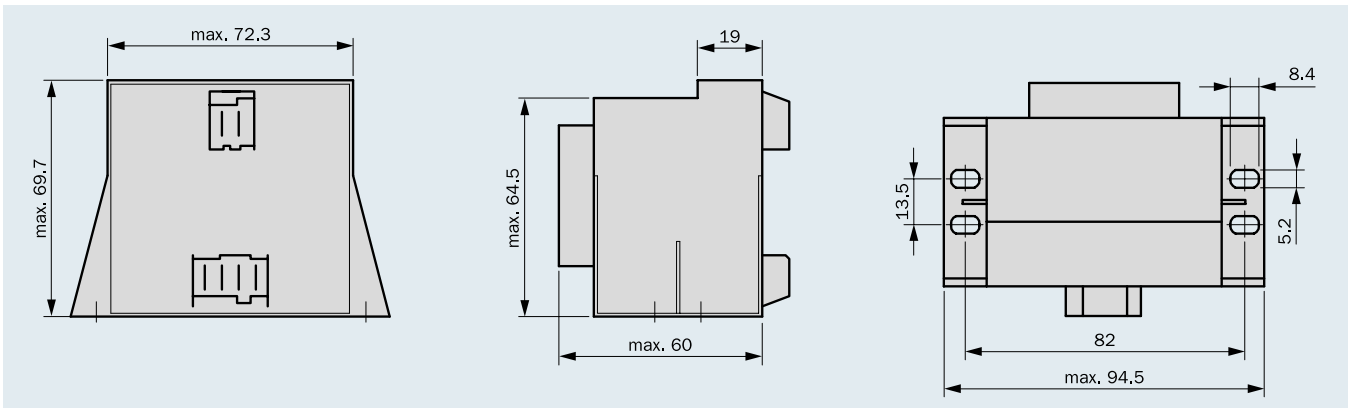
**Maximum Convenience combined with cogent Quality.**

Equipped with service- and user-friendly connective techniques plus the usual quality benefits of the EI transformer series. Designed to customer requirements – capacities from 10.0 VA to 120.0 VA. Temperature class ta 70 °C/B. Vacuum encapsulated items are, subjected of course to 100 % quality control.

**Connecting pins** Version EI 60 / 21.0



**Connecting pins** Version EI 66 / 30.0





# Transformers

Output Power:

50.0 VA – 120.0 VA

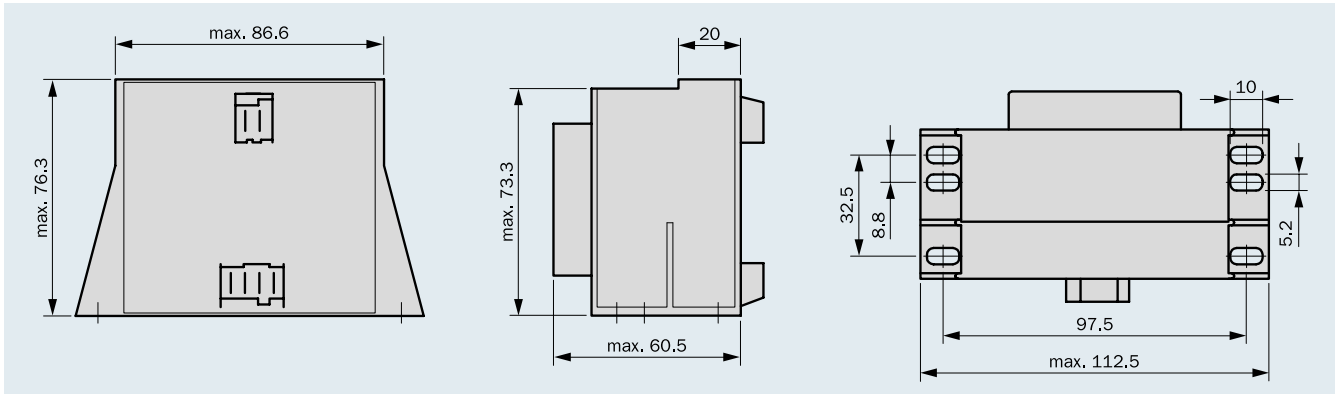
# RAST 5

Frame size	Output Power ta 70 °C/B
EI 78 / 27.5	50.0 VA
EI 84 / 43.5	120.0 VA

**Maximum Convenience combined with cogent Quality.**

Equipped with service- and user-friendly connective techniques plus the usual quality benefits of the EI transformer series. Designed to customer requirements – capacities from 10.0 VA to 120.0 VA. Temperature class ta 70 °C/B. Vacuum encapsulated items are, subjected of course to 100 % quality control.

**Connecting pins** Version EI 78 / 27.5



**Connecting pins** Version EI 84 / 43.5

